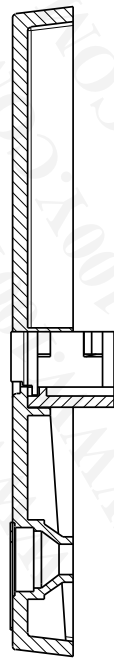
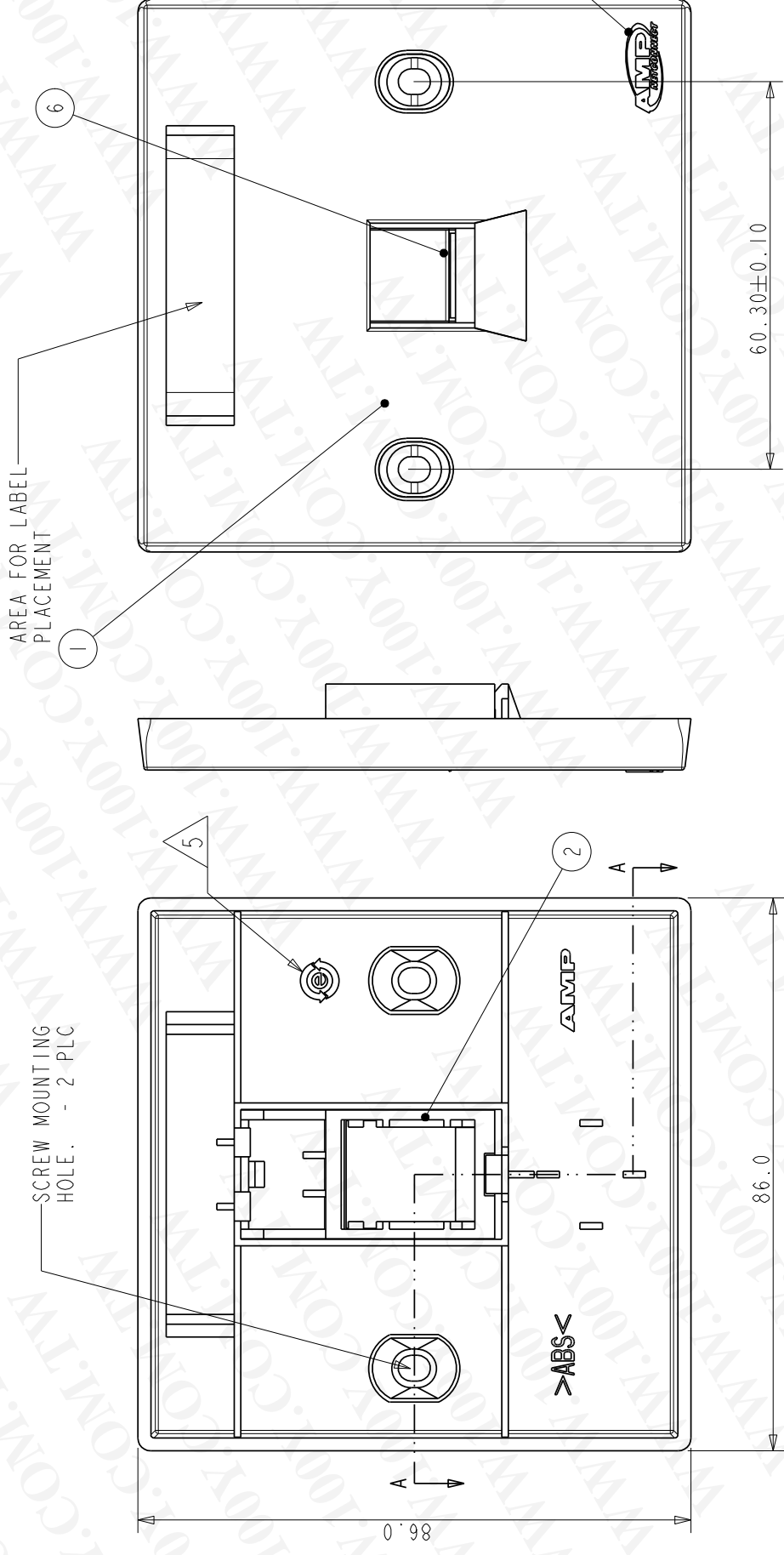
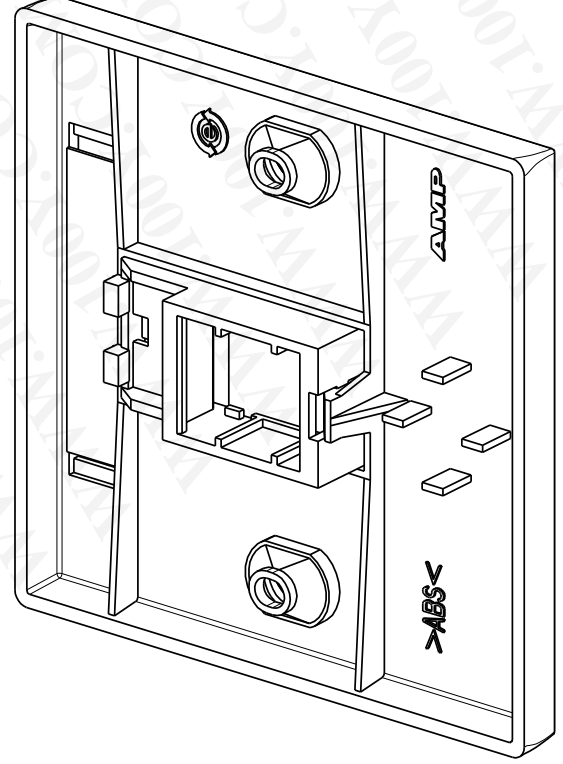


P	LTR	DESCRIPTION	DATE	DWN	APVD
0		RELEASED	28DEC2005	EW	EW
A		ECR-07-011399	21MAY2007	SM	EW



SECTION A-A



- FACEPLATE KIT 1859049-1 (WHITE) CONSIST OF THE FOLLOWING ITEM:
 FACEPLATE ASSEMBLED WITH JACK HOLDER AND SPRING SHUTTER ASSEMBLIES - 1 PC
 SCREW COVER - 2 PCS
 SCREW, PAN HEAD, M3.5 x 0.35 x 25mm - 2 PCS
 LABEL COVER - 1 PCS
- SCREWS, SCREW COVERS AND LABEL COVER ARE PACKED SEPARATELY IN A BAG
- ITEMS NO. 3, 4, 5 AND 7 NOT SHOWN IN DRAWING
- AMP NETCONNECT LOGO ARTWORK AS PER 2-15944-9.
- CHINA E-LOGO ADDED ON THE BACK SURFACE.

勝特力材料 886-3-5753170
 勝特力电子(上海) 86-21-34970699
 勝特力电子(深圳) 86-755-83298787
 Http://www.100y.com.tw

ITEM NO	COMPONENT	MATERIAL
7	SHUTTER SPRING	STEEL, STAINLESS
6	SHUTTER	ABS UL94V-0 + UV
5	SCREW, M3.5x0.35x25mm, GB819-85	BRASS, NICKEL PLT
4	SCREW COVER	ABS UL94V-0 + UV
3	LABEL COVER	ACRYLIC UL94V-0
2	JACK HOLDER	ABS UL94V-0 + UV
1	FACEPLATE	ABS UL94V-0 + UV
ITEM NO COMPONENT		MATERIAL

THIS DRAWING IS CONTROLLED BY TYCO ELECTRONICS CORPORATION. IT IS SUBJECT TO CHANGE WITHOUT NOTICE. THE USER SHOULD BE CONTACTED FOR THE LATEST REVISION.

DIMENSIONS:	TOLERANCES UNLESS OTHERWISE SPECIFIED:
mm	±0.5
0 PLC	±0.2
1 PLC	±0.1
2 PLC	±
3 PLC	±
4 PLC	±
ANGLES	±1
FINISH	

MATERIAL SEE TABLE

DWN	CHK	NAME	COMPANY
E. WANG		E. WANG	Tyco Electronics Corporation
			Raychem Shanghai

APVD	PRODUCT SPEC	APPLICATION SPEC	WEIGHT	RESTRICTED TO
E. WANG	108-67002	408-67002	-	-

SIZE	CAGE CODE	DRAWING NO	SCALE	SHEET	OF	REV
A3	00779	1859049		1	1	A

CUSTOMER DRAWING